



Standard LED candles & lusters

LEDBulb 4-40W E27 3000K 220-240V P45

Standard LED candles are compatible with existing fixtures with a E27 holder and are designed for retrofit replacement of incandescent, halogen and energy saving candles. They deliver huge energy savings and minimize maintenance costs. The Standard LED candle is the perfect candle for your basic lighting needs. It provides the beautiful light and performance you expect from the LED technology at an affordable price.

Product data

General Information	
Cap-Base	E27 [E27]
Nominal Lifetime (Nom)	15000 h
Switching Cycle	50000X
Technical Type	4-40W
Light Technical	
Color Code	830 [CCT of 3000K]
Beam Angle (Nom)	150 °
Luminous Flux (Nom)	350 lm
Luminous Flux (Rated) (Nom)	350 lm
Color Designation	White (WH)
Correlated Color Temperature (Nom)	3000 K
Luminous Efficacy (Rated) (Nom)	95.00 lm/W
Color Consistency	<6
Color Rendering Index (Nom)	80
LLMF At End Of Nominal Lifetime (Nom)	70 %
Operating and Electrical	
Input Frequency	50 to 60 Hz

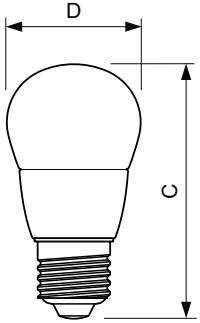
Power (Rated) (Nom)	4 W
Lamp Current (Nom)	40 mA
Wattage Equivalent	40 W
Starting Time (Nom)	0.5 s
Warm Up Time to 60% Light (Nom)	0.5 s
Power Factor (Nom)	0.5
Voltage (Nom)	220-240 V
Temperature	
T-Case Maximum (Nom)	90 °C
Controls and Dimming	
Dimmable	No
Mechanical and Housing	
Bulb Finish	Frosted
Product Data	
Full product code	871869653110500
Order product name	LEDBulb 4-40W E27 3000K 220-240V P45

Standard LED candles & lusters

EAN/UPC - Product	8718696531105
Order code	929001160911
Numerator - Quantity Per Pack	1
Numerator - Packs per outer box	6

Material Nr. (12NC)	929001160911
Net Weight (Piece)	0.064 kg

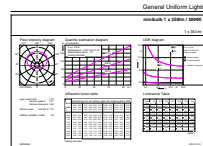
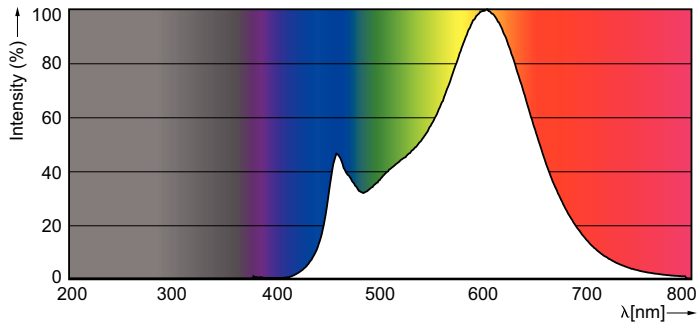
Dimensional drawing



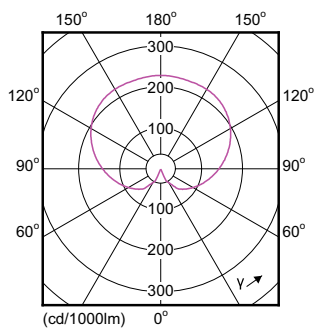
MINI BULB 230V 4W-25W 350lm 3000K E27 ND

Product	D	C
LEDBulb 4-40W E27 3000K 220-240V P45	45 mm	87 mm

Photometric data



General Uniform Lighting



Standard LED candles & lusters

